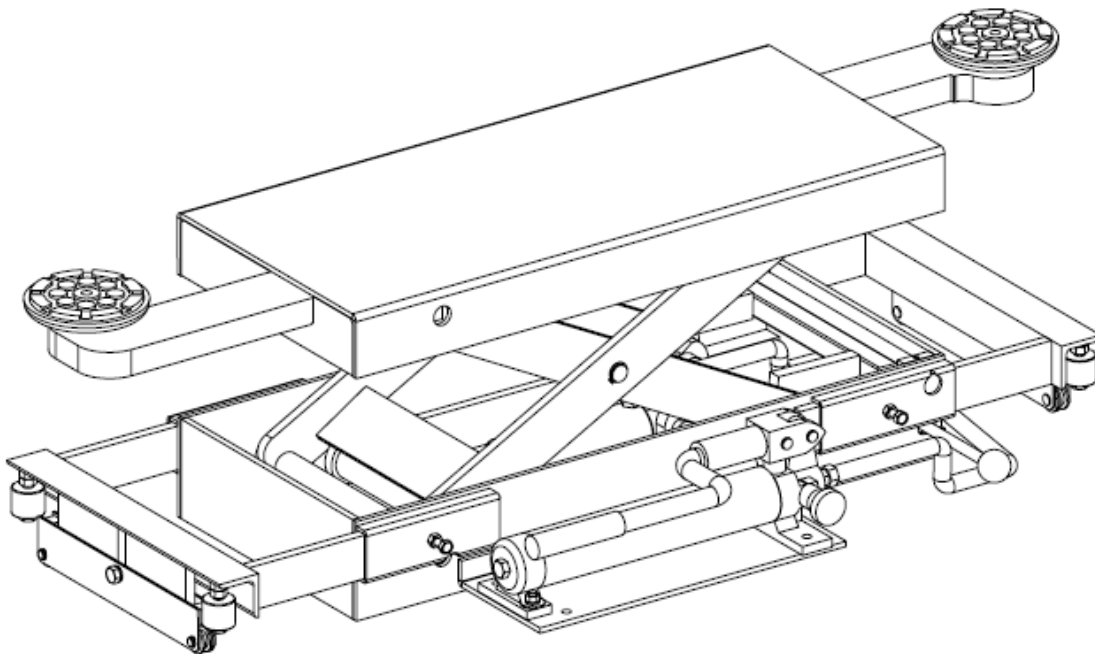
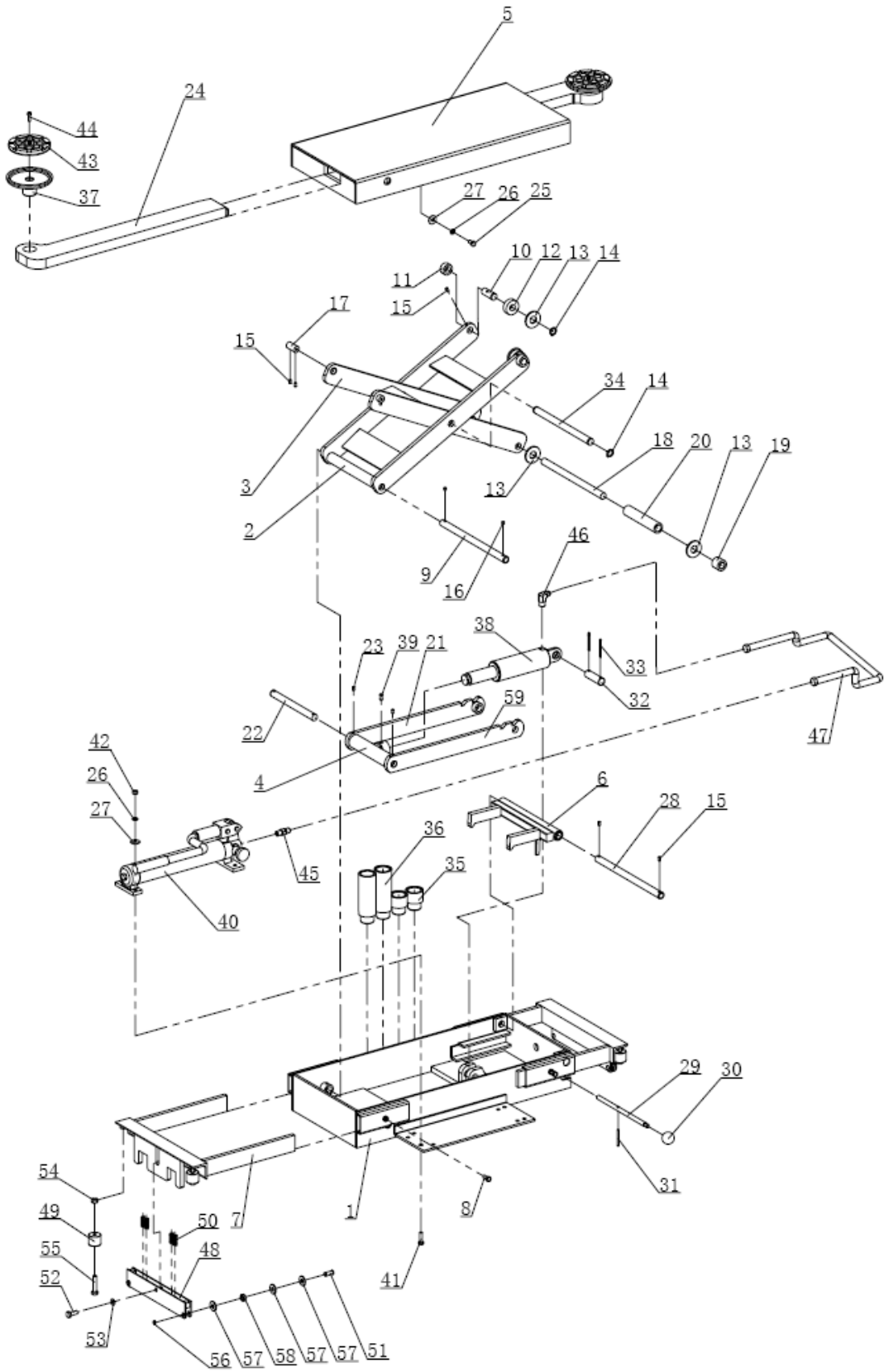


PRO JACK 4500
ROLLING BRIDGE JACK
4,500 POUND CAPACITY



PARTS MANUAL
P/n NRJ450BK

2007



RJ-45 (M) PARTS LIST

Item #	Part Number	Description	Qty
1	NRJ45-1000	Bottom Tray	1
2	NRJ45-2100	Outer Scissor	1
3	NRJ45-3100	Inner Scissor	1
4	NRJ45-4001	Shaft Tray	1
5	NRJ45-5100	Top Cover	1
6	NRJ45-6100	Latch, Weldment	1
7	NRJ45-7100	Roller Structure	2
8	B10-8×20	M8×20 Bolt	4
9	NRJ45-2001	Long Shaft	1
10	RJ35-2002	Roller Shaft	2
11	RJ35-2003	Rollers A	2
12	RJ35-2004	Rollers B	2
13	B41-20	φ20 Flat Washer	4
14	B60-19	φ19 Snap Ring	4
15	B22-6×12	M6×12 Screw	8
16	B22-6×8	M6×8 Screw	2
17	RJ35-3001	Short Shaft	2
18	NRJ45-3001	Roller Shaft	1
19	RJ35-3003	Rollers	2
20	RJ35-3004	Spacer	1
21	NRJ45-4003	Pushing Weldment	1
22	NRJ45-4002	Shaft	1
23	B22-6×16	M6×16 Screw	2
24	NRJ45-5200	Arm	2
25	B10-8×16	M8×16 Screw	2
26	B40-8	φ8 Lock Washer	6
27	B41-8	φ8 Flat Washer	6
28	NRJ45-6001	Shaft	1
29	RJ35-6002	Shaft	1
30	B84-35	φ35×M10 Plastic Ball	1
31	B51-5×50	φ5×50 Lock Pin	1
32	RJ35-0001	Pin, Cylinder Bottom	1
33	B52-4×45	φ4×45 Cotter Pin	2
34	NRJ45-0001	Shaft, Scissor	1
35	30400-6014A	Adapter A	2
36	30400-6015A	Adapter' A	2
37	30400-6005-2	Swivel Lifting Pads	2
38	YG60-9100	Cylinder	1
39	B21-8×16	M8×16 Screw	1
40	SP03-9100	Air/Hydraulic Pump	1
41	B10-8×30	M8×30 Bolt	4

42	B30-8	M8 Nut	4
43	PV-6003	Rubber Pad	2
44	B20-6×20	M6×20 Screw	2
45	SP03-9111	Fitting	1
46	H4D-Y004	Fitting, Elbow	1
47	1WB-15	Hydraulic Hose	1
48	NH4D-7520	Roller Weldment	2
49	NH4D-7501	Roller	4
50	H4P-9401	Spring	8
51	NH4D-7502	Pin	4
52	B10-10×25	M10×25 Bolt	2
53	B40-10	φ10 Lock Washer	2
54	B30-10	M10 Nut	4
55	B10-10×50	M10×50 Bolt	4
56	B60-10	φ10 Snap Ring	4
57	B41-10	φ10 Flat Washer	12
58	B70-6200	Bearing	4
59	NRJ45-4003DC	Pushing Weldment	1

WARRANTY POLICY

- **Two Post / Four Post, Vehicle and Specialty Lifts** weight capacity models **7,000lb thru 14,000lb** are warranted for **(5)** years on structural components and **(2)** years on hydraulic power units and cylinders from invoice date.
- **Low Rise and Mid Rise Lifts** weight capacity models **6,000lb** are warranted for **(2)** years on structural components and **(2)** years on hydraulic power units and cylinders from invoice date.
- **Rotisserie units, Motor Cycle Lifts, Jacks, Lift Accessories, Jack Stands and Lift Kits, etc.** are warranted for **(1)** year on structural components and **(1)** year on air / hydraulic power units, pneumatic cylinders and components from invoice date.

NOTE: ALL WARRANTY CLAIMS MUST BE PRE-APPROVED BY THE MANUFACTURER TO BE VALID.

The Manufacturer shall repair or replace at their option for this period those parts returned to the factory freight prepaid, which prove after inspection to be defective. This warranty will not apply unless the product is installed, used and maintained in accordance with the Manufacturers installation, operation and maintenance instructions.

This warranty applies to the **ORIGINAL** purchaser only, and is non-transferable. The warranty covers the products to be free of defects in material and workmanship but, does not cover normal maintenance or adjustments, damage or malfunction caused by: improper handling, installation, abuse, misuse, negligence, carelessness of operation or normal wear and tear. In addition, this warranty does not cover equipment when repairs or alterations have been made or attempted to the Manufacturer's products.

THIS WARRANTY IS EXCLUSIVE AND IS LIEU OF ALL OTHER WARRANTIES EXPRESSED OR IMPLIED INCLUDING ANY IMPLIED WARRANTY OR MERCHANTABILITY OR ANY IMPLIED WARRANTY OF FITNESS FROM A PARTICULAR PURPOSE, AND ALL SUCH IMPLIED WARRANTIES ARE EXPRESSLY EXCLUDED.

THE REMEDIES DESCRIBED ARE EXCLUSIVE AND IN NO EVENT SHALL THE MANUFACTURER, NOR ANY SALES AGENT OR OTHER COMPANY AFFILIATED WITH IT OR THEM, BE LIABLE FOR SPECIAL CONSEQUENTIAL OR INCIDENTAL DAMAGES FOR THE BREACH OF OR DELAY IN PERFORMANCE OF THIS WARRANTY. THIS INCLUDES, BUT IS NOT LIMITED TO, LOSS OF PROFIT, RENTAL OR SUBSTITUTE EQUIPMENT OR OTHER COMMERCIAL LOSS.

This warranty shall be governed by the laws of the State of Texas, and shall be subject to the exclusive jurisdiction of the Court in the State of Texas in the County of Tarrant.

PRICES: Prices and specifications are subject to change without notice. All orders will be invoiced at prices prevailing at time of shipment. Prices do not include any local, state or federal taxes.

RETURNS: Products may not be returned without written approval from the Manufacturer.

DUE TO THE COMPETITIVENESS OF THE SELLING PRICE OF THESE LIFTS, THIS WARRANTY POLICY WILL BE STRICTLY ADMINISTERED AND ADHERED TO.